

T-series Outdoor Station User Manual_V1.1



T-OS01-IC T-OS03-IC T-OS04-IC

User Manual for T-OS01-IC/T-OS03-IC/T-OS04-IC

Unit 1 Function Overview

This product is an Outdoor Station in 2-wire analog video door phone system. Twin-core cable is adopted to connect into the system, it supports video intercom with indoor monitor and access control with IC card.

- Support IC card
- Support calling indoor monitor
- Adjustable unlock time
- Door status detection
- Support normally open/close unlock output
- Tamper alarm

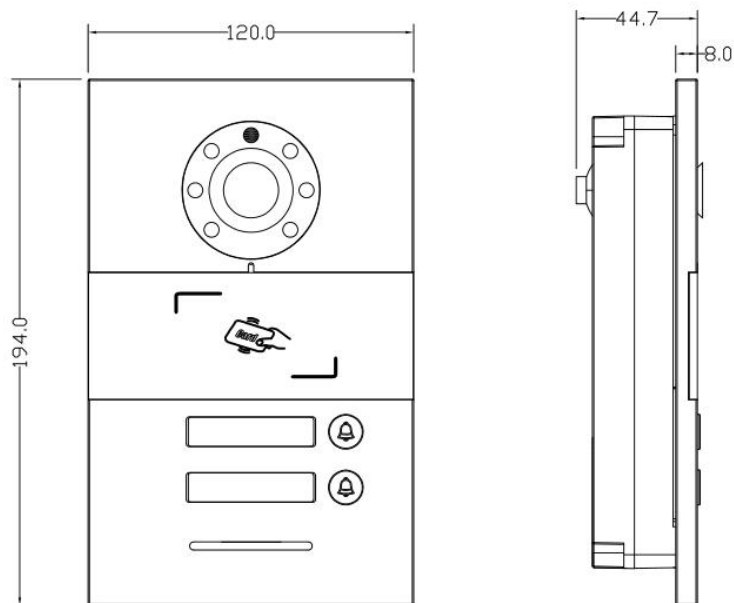
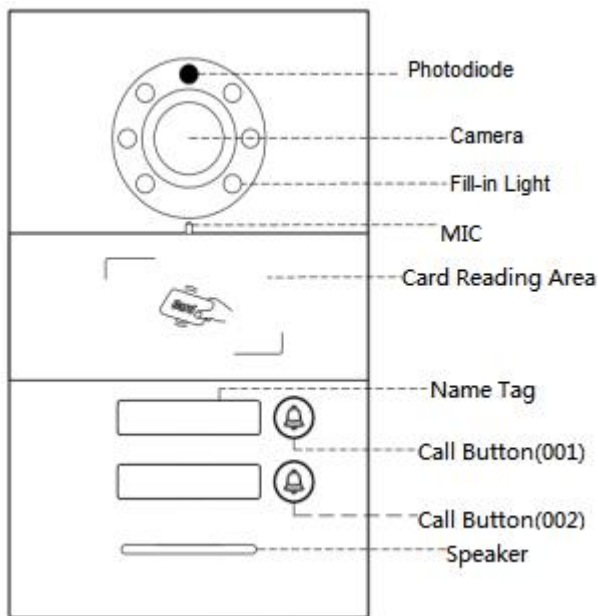
1.1 Parameter

Working Voltage:DC 24~30V Static Current:30V \approx 25 mA
 Working Current:30V \approx 150 mA Working Temperature:-25°C~+55°C
 Storage Temperature:-40°C~70°C Dimension(W/H/D): 120×194×44.7mm

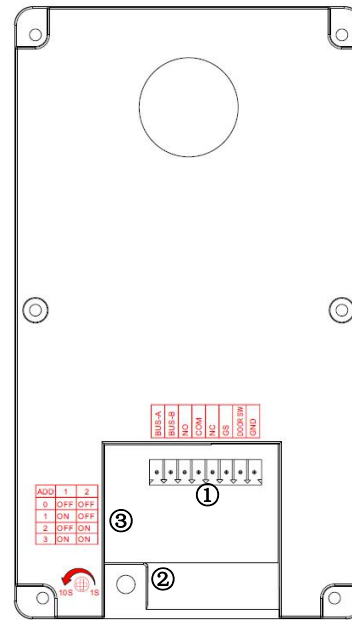
1.2 Camera

Type:CMOS Pixel:≤30W
 View Angle:Diagonal 90° Min. Illumination:0 lux
 Focus Length:2.2mm Fill-in Light Type:white
 Adjustable Angle:up/down/left/right 12°

Unit 2 Dimensions

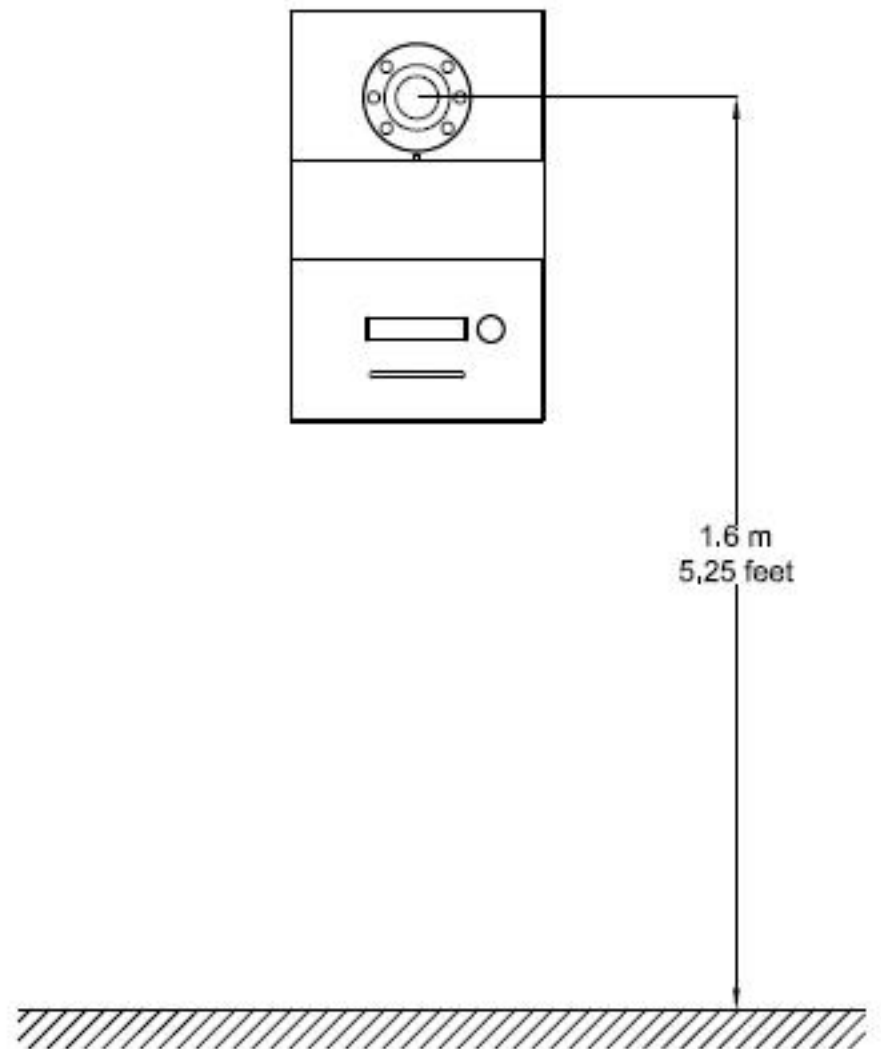


Unit 3 Interface Description



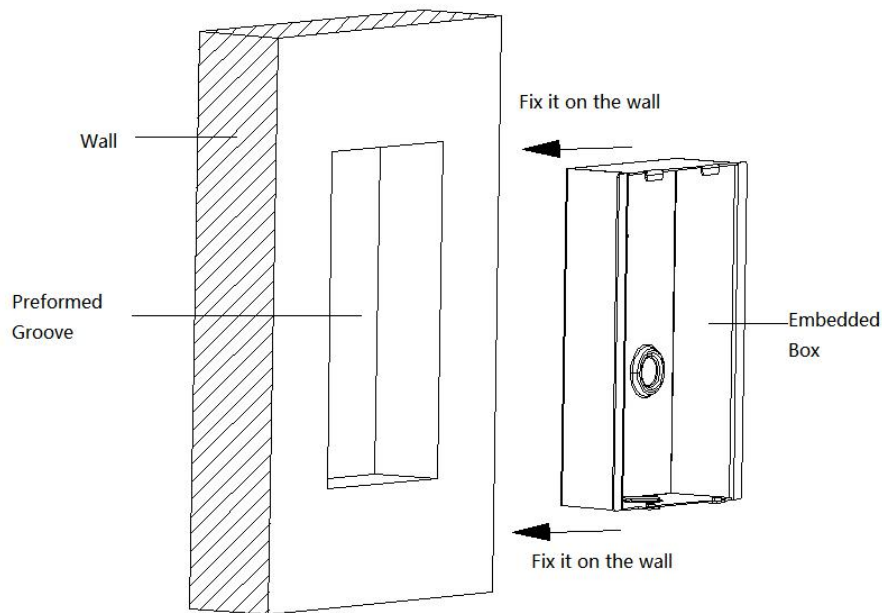
- ① BUS-A,BUS-B:Bus Interface;
 NO,COM,NC:Normally open pin,common pin,normally closed pin;
 GS:Door status detection;
 DOOR SW: Door unlock switch inside;
 GND: Common ground.
- ② Unlock time setting,details on page 4.
- ③ Outdoor Station ADD setting, details on page 4.

Unit 4 Installation Height



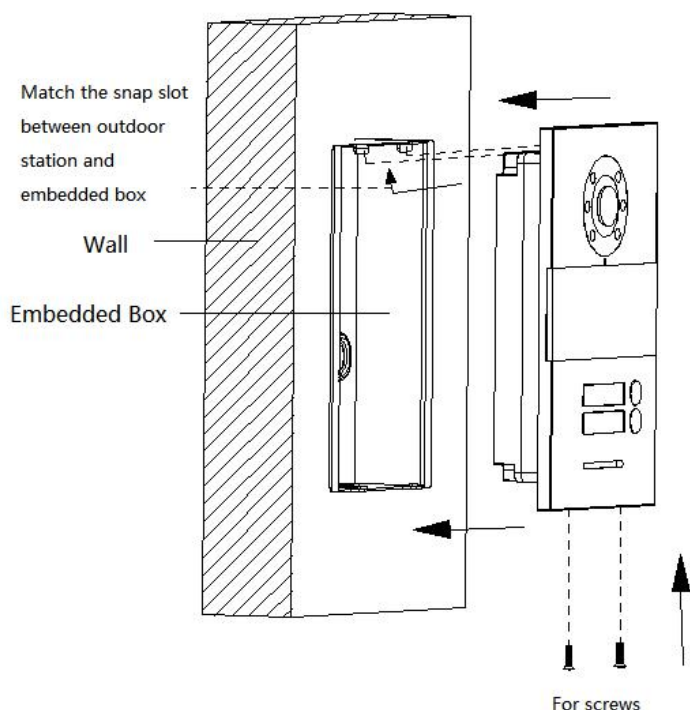
Suggested height for installation: camera is 1.6m above the ground

Unit 5 Installation Step



Step 1:

Put the embedded box into the preformed groove,
Dimensions of embedded box (W/H/D) :100×180×40mm



Step 2:

Put the outdoor station into the embedded box, fasten with screws.

The installation steps mentioned above are in wall-embedded way, it can also be installed in wall-mounted way:

Step 1: Implant 4pcs expansion screws onto the wall, fix the embedded box onto the wall with 4pcs screws.

Step 2: Assemble the outdoor station into the embedded box and lock it with screws.

Attentions

1、 Please keep devices away from strong magnetic field , high temperature , wet environment ;



2、 Please do not fall the devices to the ground or make them get hard impact ;



3、 Please do not use wet cloth or volatile reagent to wipe the devices ;



4、 Please do not disassemble the devices.

Unit 6 Operation Instructions

6.1 Factory Reset

Cut off the power of the outdoor station and power on, set the ADD as 0, long press any button on the outdoor station for 3 seconds. After a long beep, factory reset is done.

6.2 Card Management

● Registration for Admin Card

Power the outdoor station after factory reset, the first swiped card within 60 seconds will be the admin card. After a long beep from outdoor station, the admin card is registered.

● Card Registration Mode

In standby mode, swipe the admin card to enter card registration mode. In 15 seconds, there will be 3 times of short beep if the swiped card is not the admin card. After 15 seconds without any operation, there will be 3 times of short beep and the outdoor station will return to standby mode, swipe the admin card again will enter continuously registration mode.

● Continuously Card Registration Mode

In card registration mode, swipe the admin card and after a beep, it will enter continuously card registration mode. In 15 seconds, user card can be registered:

- ① If card is registered successfully, outdoor station beeps and timing restarts, new user card can be registered;
- ② If card registration fails, outdoor station will beep 3 times and timing restarts;
- ③ If there's no operation for 15 seconds, it will return to standby mode;

After registration is finished, swipe the admin card then it will return to standby mode.

● Continuously Card Deletion Mode

In card registration mode, swipe the admin card twice, outdoor station beeps twice, it will enter continuously card deletion mode. In 15 seconds, user card can be deleted by swiping:

- ① If card is deleted successfully, outdoor station will beep once and timing restarts, then more cards can be deleted;
- ② If card deletion fails, outdoor station will beep 3 times then timing restarts;
- ③ If there's no operation for 15 seconds, outdoor station beeps and return to standby mode;

After card deletion is finished, swipe the admin card then it will return to standby mode.

● Continuously Registration Mode for Admin Cards

In card registration mode, swipe admin card 3 times, outdoor station beeps 3 times, then enters continuously registration mode for admin cards. In the following 15 seconds, admin card can be registered by swiping.

- ① If admin card is registered successfully, outdoor station beeps and timing restarts, more admin card can be registered;
- ② If admin card registration fails, outdoor station beeps 3 times and timing restarts;
- ③ If there's no operation for 15 seconds, the outdoor station beeps and returns to standby mode;

After registration, swipe the admin card then it returns to standby mode.

● Continuously Deletion Mode for Admin Cards

In card registration mode, swipe admin card 4 times, outdoor station beeps 4 times, then it will enter continuously deletion mode for admin card. In 15 seconds, admin card can be deleted by swiping.

- ① If admin card is deleted successfully, the outdoor station beeps and timing restarts, more admin card can be deleted;
- ② If admin card deletion fails, outdoor station beeps 3 times and timing restarts;
- ③ If there's no operation for 15 seconds, the outdoor station beeps and returns to standby mode;

After deletion, swipe the admin card then it returns to standby mode.

● Delete All User Cards

In card registration mode, swipe admin card 5 times, the outdoor station beeps 10 times, then it will enter delete all mode. Within 15 seconds, swipe the admin card then it will delete all user cards:

- ① If delete all user cards successfully, outdoor station beeps and returns to standby mode;
- ② If deletion of all user cards fails (or swipe the wrong card), outdoor station beeps 3 times and return to standby mode;
- ③ If there's no operation for 15 seconds, outdoor station beeps and returns to standby mode.

Note:

Quantity of Admin card+ User card ≤200pcs

6.3 Unlock Time Setting

There is an adjustable potentiometer on the back side of the outdoor station (②), unlock time can be adjusted by ratio of 180° from 1 second to 10 seconds, lengthen in anticlockwise direction, shorten in clockwise direction.

6.4 ADD Setting

There is a dialer at the back of the outdoor station (③), the method of setting is as below:

1	2	ADD
OFF	OFF	0
ON	OFF	1
OFF	ON	2
ON	ON	3

Note: It enters setting mode when ADD is 0.